

Australian Head Office:
7 Kimpton Way, Altona, 3018 VIC

Melbourne Showroom:
431 Church St, Richmond, 3121 VIC

Sydney Studio Showroom:
Studio 5, Level 5, 35 Buckingham St, Surrey Hills, 2010 NSW

Beverly Hills Office & Showroom:
285 South Robertson Blvd, Beverly Hills California, 90211 USA

WINDOW LEVER

INSTALLATION INSTRUCTIONS

t + 61 3 9300 8888
e sales@designerdoorware.com.au
w www.designerdoorware.com.au

Care and Maintenance Guide

Guarantee

Brass Based Products

Maintenance

Finishes on all products are produced to the highest quality standards to ensure they remain in perfect order year after year. However some finishes can deteriorate if they are exposed to corrosive vapors, coastal air, salt spray or humidity. Soft finishes, which include polished brass, polished chrome and satin chrome, are susceptible to discolouration if they come into contact with air, moisture, or paint, particularly in exterior locations and wet areas. To help slow deterioration, it is suggested to regularly wipe these finishes with a soft non-abrasive cloth and occasionally polish with a furniture wax.

Living Finishes

SBU, PBU, ABM, ABD, FBM, FBD, ORB, WBL, WBM

Designer Doorware's living finishes are fabricated and coloured by hand; variations in size, shape, and colour are a natural result of this process. Tooling marks and surface scratches are part of the character of the finished pieces. Most products are sealed with wax, which over time is not impervious to moisture and corrosion or wear and tear. The standard wax coating allows the finish to age naturally and develop its own character and morph into the environment wearing off where it is used most exposing the natural material underneath, this will patina with time and become a living finish. Due to the artisan, hand-made nature of these finishes, every product is unique. While we aim for consistency, there will always be a degree of variance with living finishes. Do not use methylated spirits on any products with a living finish, as it may strip away any aesthetic or protective coating.

Plated, PVD & PCC Finishes

SC, PC, SN, PN, SBC, BC, VGM, PCC, BKA, VBK

Do not use harsh solvents, abrasives cleaners or scourers on any Designer Doorware products as this may affect the thickness of protective coatings such as plating and powder-coating. Also note that powder-coated finishes may chip with rough handling, and therefore caution should be taken during maintenance and use.

Product Guarantee

Designer Doorware Pty Ltd guarantees their products against defects in workmanship and materials. If the product is found to be defective, Designer Doorware will repair or supply the same or an equivalent product free of charge in accordance with the terms and conditions of the country of sale. Brass and all plated finishes are classified as soft finishes; as deterioration is possible under some climatic conditions, these are excluded for this guarantee. Any modifications to a product as supplied, or repairs are excluded from this guarantee.

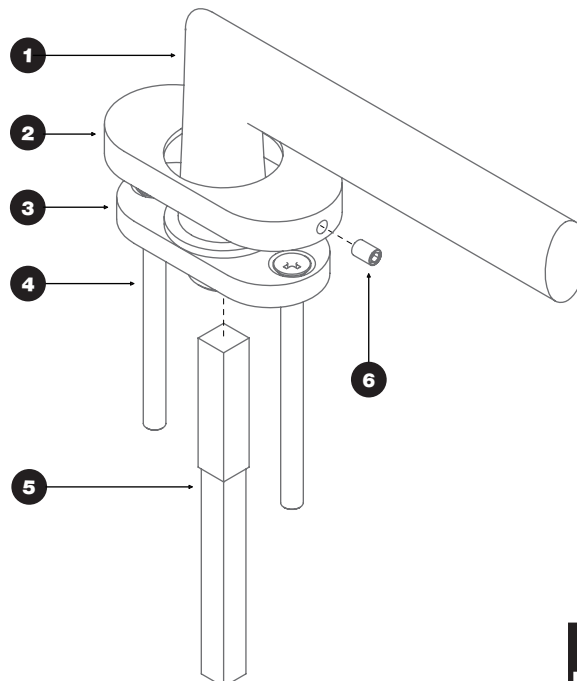
Claims

Any shortage or damage claims must be made within 7 days of the date of receipt of goods.

Product Design

In the interest of constantly improving products, we reserve the right to alter dimensions, materials and designs at any time.

EXPLODED VIEW

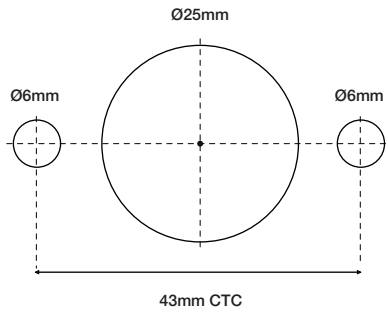


PARTS ENCLOSED

x1 1. Lever
x1 2. Outer Rose
x1 3. Inner Rose
x2 4. M5 x 65mm Countersunk Screw - Phillips Drive
x1 5. 8mm to 7mm Window Lever Spindle
x1 6. Grub Screw

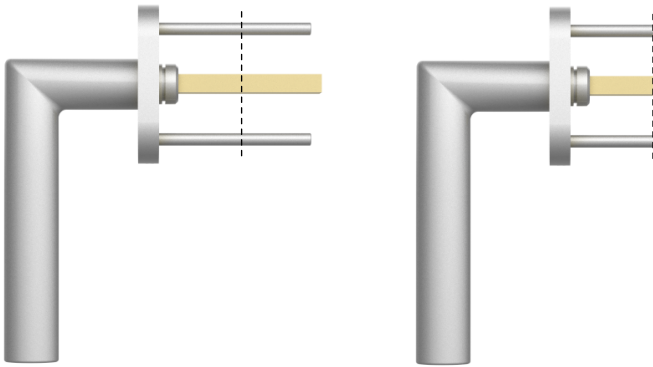
TOOLS REQUIRED

1. Pencil
2. 1-1/2" hole saw (for doors without cutouts)
3. 1/2" or 3/4" wood chisel
4. Power drill and assorted bits (Ph. 2 drive, 1" & 1/8")
5. No. 2 phillips screwdriver
6. Allen key (provided)



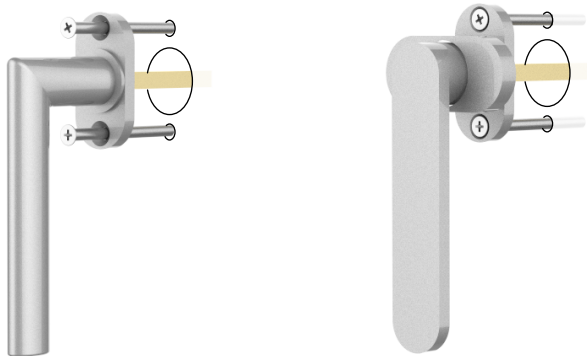
WINDOW FRAME PREPARATION

- If desired, cut this section and use as a template, aligning the black dot with the center of the mechanism hub.
- Drill a **25mm** hole at the center where the black dot is located.
- Drill two **6mm** holes as shown, with a 43mm center-to-center distance separating them.



CUTTING SPINDLE & SCREWS

- Depending on the frame and mechanism, both the screws and spindle will need to be cut down to suit.
- Drill a **25mm** hole at the center where the black dot is located.
- Drill two **6mm** holes as shown, with a 43mm center-to-center distance separating them.



ASSEMBLING WINDOW FURNITURE

- Place the spindle into the neck of the lever and insert the lever and inner rose into position.
- Screw the x2 M5 fasteners into position to fasten the inner rose to the frame.

NOTE: For certain levers, like the Club, complete removal of the outer rose is not possible. Therefore the easiest way to gain access to the screwheads is by rotating the outer rose as shown.

ASSEMBLING OUTER ROSE

- The final step is to place the outer rose back to its original position.
- Using the allen key provided, fasten the outer rose to the inner rose by tightening the grub screw.

