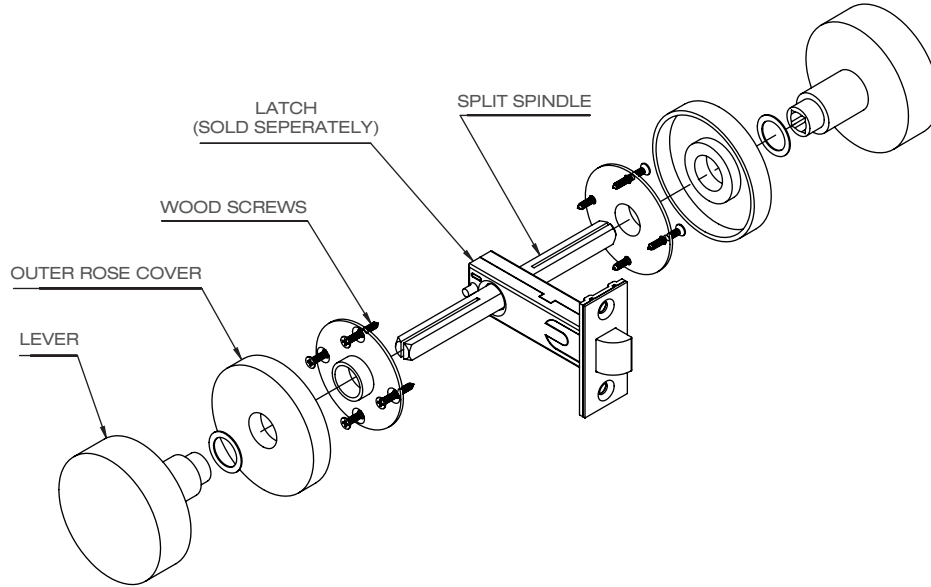
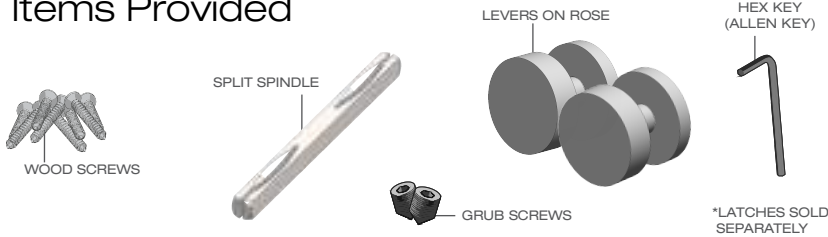


# Passage Niki Set Installation Guide

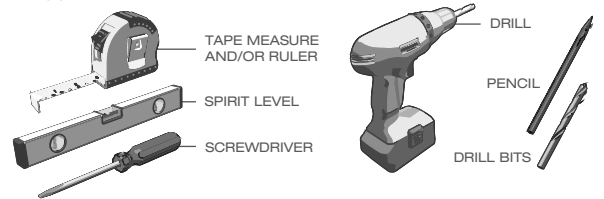


## Items Provided



## Items Not Provided

Suggested tools to be used



## Care and Maintenance Guide

### Brass Based Products

#### Maintenance

Finishes on all products are produced to the highest quality standards to ensure they remain in perfect order year after year. However some finishes can deteriorate if they are exposed to corrosive vapors, coastal air, salt spray or humidity. Soft finishes, which include polished brass, polished chrome and satin chrome, are susceptible to discolouration if they come into contact with air, moisture, or paint, particularly in exterior locations and wet areas. To help slow deterioration, it is suggested to regularly wipe these finishes with a soft non-abrasive cloth and occasionally polish with a furniture wax.

#### Plated, PVD & PCC Finishes

SC, PC, SN, PN, SBC, BC, VGM, PCC, BKA, VBK

Do not use harsh solvents, abrasives cleaners or scourers on any Designer Doorware products as this may affect the thickness of protective coatings such as plating and powder-coating. Also note the powder-coated finishes may chip with rough handling, and therefore caution should be taken during maintenance and use.

#### Living Finishes

SBU, PBU, ABM, ABD, FBM, FBD, ORB, WBL, WBM

Designer Doorware's living finishes are fabricated and coloured by hand. Variations in size, shape, and colour are a natural result of this process. Tooling marks and surface scratches are part of the character of the finished pieces. Most products are sealed with wax, which over time is not impervious to moisture and corrosion or wear and tear. The standard wax coating allows the finish to age naturally and develop its own character and morph into the environment wearing off where it is used most exposing the natural material underneath, this will patina with time and become a living finish. Due to the artisan, hand-made nature of these finishes, every product is unique. While we aim for consistency, there will always be a degree of variance with living finishes. Do not use methylated spirits on any products with a living finish, as it may strip away any aesthetic or protective coating.

## Warranty Information

### Product Guarantee

Designer Doorware Pty Ltd guarantees their products against defects in workmanship and materials. If the product is found to be defective, Designer Doorware will repair or supply the same or an equivalent product free of charge in accordance with the terms and conditions of the country of sale. Brass and all plated finishes are classified as soft finishes. As deterioration is possible under some climatic conditions, these are excluded for this guarantee. Any modifications to a product as supplied, or repairs, are excluded from this guarantee.

### Claims

Any shortage or damage claims must be made within 7 days of the date of receipt of goods.

### Product Design

In the interest of constantly improving products, we reserve the right to alter dimensions, materials and designs at any time.

## Contact Us

t + 61 3 9300 8888

f + 61 3 9310 1866

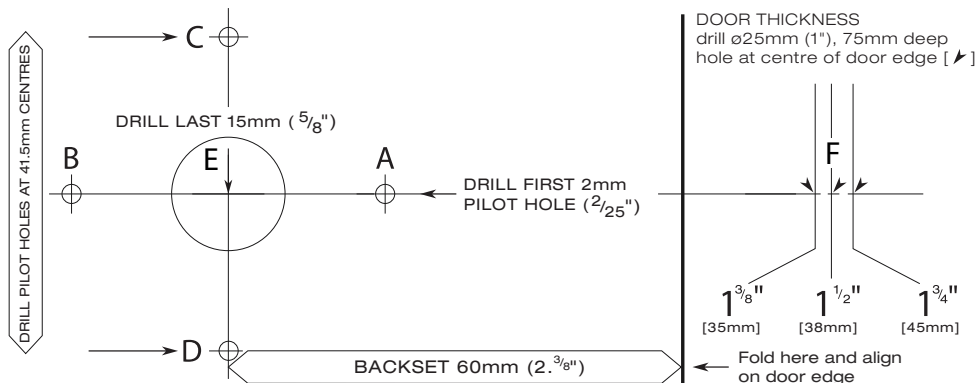
sales@designerdoorware.com.au  
designerdoorware.com.au

7 Kimpton Way, Altona, Victoria, Australia, 3018

### Showroom

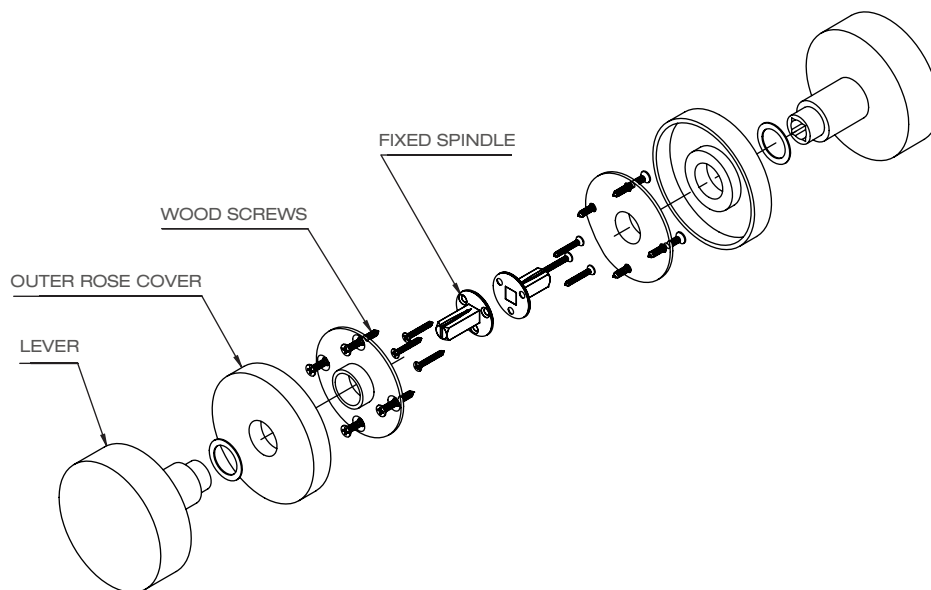
431 Church St, Richmond, Victoria, Australia, 3121

## Drilling Template

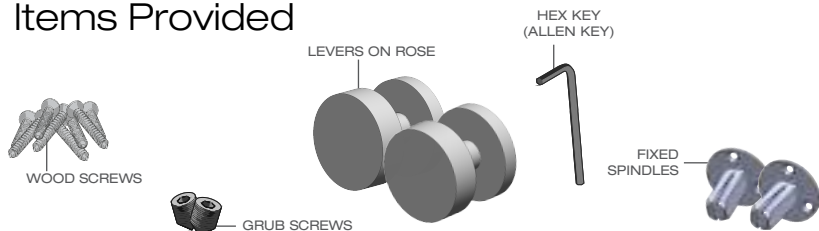


CUT ALONG DOTTED LINE

# Fixed Niki Set Installation Guide

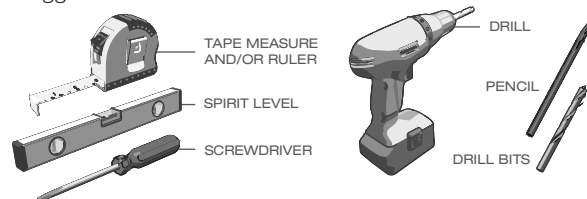


## Items Provided



## Items Not Provided

Suggested tools to be used



## Care and Maintenance Guide

### Brass Based Products

#### Maintenance

Finishes on all products are produced to the highest quality standards to ensure they remain in perfect order year after year. However some finishes can deteriorate if they are exposed to corrosive vapors, coastal air, salt spray or humidity. Soft finishes, which include polished brass, polished chrome and satin chrome, are susceptible to discolouration if they come into contact with air, moisture, or paint, particularly in exterior locations and wet areas. To help slow deterioration, it is suggested to regularly wipe these finishes with a soft non-abrasive cloth and occasionally polish with a furniture wax.

#### Plated, PVD & PCC Finishes

SC, PC, SN, PN, SBC, BC, VGM, PCC, BKA, VBK

Do not use harsh solvents, abrasives cleaners or scourers on any Designer Doorware products as this may affect the thickness of protective coatings such as plating and powder-coating. Also note the powder-coated finishes may chip with rough handling, and therefore caution should be taken during maintenance and use.

#### Living Finishes

SBU, PBU, ABM, ABD, FBM, FBD, ORB, WBL, WBM

Designer Doorware's living finishes are fabricated and coloured by hand; variations in size, shape, and colour are a natural result of this process. Tooling marks and surface scratches are part of the character of the finished pieces. Most products are sealed with wax, which over time is not impervious to moisture and corrosion or wear and tear. The standard wax coating allows the finish to age naturally and develop its own character and morph into the environment wearing off where it is used most exposing the natural material underneath, this will patina with time and become a living finish. Due to the artisan, hand-made nature of these finishes, every product is unique. While we aim for consistency, there will always be a degree of variance with living finishes. Do not use methylated spirits on any products with a living finish, as it may strip away any aesthetic or protective coating.

## Warranty Information

### Product Guarantee

Designer Doorware Pty Ltd guarantees their products against defects in workmanship and materials. If the product is found to be defective, Designer Doorware will repair or supply the same or an equivalent product free of charge in accordance with the terms and conditions of the country of sale. Brass and all plated finishes are classified as soft finishes. As deterioration is possible under some climatic conditions, these are excluded for this guarantee. Any modifications to a product as supplied, or repairs, are excluded from this guarantee.

### Claims

Any shortage or damage claims must be made within 7 days of the date of receipt of goods.

### Product Design

In the interest of constantly improving products, we reserve the right to alter dimensions, materials and designs at any time.

## Contact Us

t + 61 3 9300 8888

f + 61 3 9310 1866

sales@designerdoorware.com.au

designerdoorware.com.au

7 Kimpton Way, Altona, Victoria, Australia, 3018

### Showroom

431 Church St, Richmond, Victoria, Australia, 3121

## Drilling Template

