

Australian Head Office:
7 Kimpton Way, Altona, 3018 VIC

Melbourne Showroom:
431 Church St, Richmond, 3121 VIC

Sydney Studio Showroom:
Studio 5, Level 5, 35 Buckingham St, Surrey Hills, 2010 NSW

Beverly Hills Office & Showroom:
285 South Robertson Blvd, Beverly Hills California, 90211 USA

KEY & KEY DEADBOLT INSTALLATION INSTRUCTIONS

t + 61 3 9300 8888
e sales@designerdoorware.com.au
w www.designerdoorware.com.au

Care and Maintenance Guide

Guarantee

Brass Based Products

Maintenance

Finishes on all products are produced to the highest quality standards to ensure they remain in perfect order year after year. However some finishes can deteriorate if they are exposed to corrosive vapors, coastal air, salt spray or humidity. Soft finishes, which include polished brass, polished chrome and satin chrome, are susceptible to discolouration if they come into contact with air, moisture, or paint, particularly in exterior locations and wet areas. To help slow deterioration, it is suggested to regularly wipe these finishes with a soft non-abrasive cloth and occasionally polish with a furniture wax.

Living Finishes

SBU, PBU, ABM, ABD, FBM, FBD, ORB, WBL, WBM

Designer Doorware's living finishes are fabricated and coloured by hand; variations in size, shape, and colour are a natural result of this process. Tooling marks and surface scratches are part of the character of the finished pieces. Most products are sealed with wax, which over time is not impervious to moisture and corrosion or wear and tear. The standard wax coating allows the finish to age naturally and develop its own character and morph into the environment wearing off where it is used most exposing the natural material underneath, this will patina with time and become a living finish. Due to the artisan, hand-made nature of these finishes, every product is unique. While we aim for consistency, there will always be a degree of variance with living finishes. Do not use methylated spirits on any products with a living finish, as it may strip away any aesthetic or protective coating.

Plated, PVD & PCC Finishes

SC, PC, SN, PN, SBC, BC, VGM, PCC, BKA, VBK

Do not use harsh solvents, abrasives cleaners or scourers on any Designer Doorware products as this may affect the thickness of protective coatings such as plating and powder-coating. Also note that powder-coated finishes may chip with rough handling, and therefore caution should be taken during maintenance and use.

Product Guarantee

Designer Doorware Pty Ltd guarantees their products against defects in workmanship and materials. If the product is found to be defective, Designer Doorware will repair or supply the same or an equivalent product free of charge in accordance with the terms and conditions of the country of sale. Brass and all plated finishes are classified as soft finishes; as deterioration is possible under some climatic conditions, these are excluded for this guarantee. Any modifications to a product as supplied, or repairs are excluded from this guarantee.

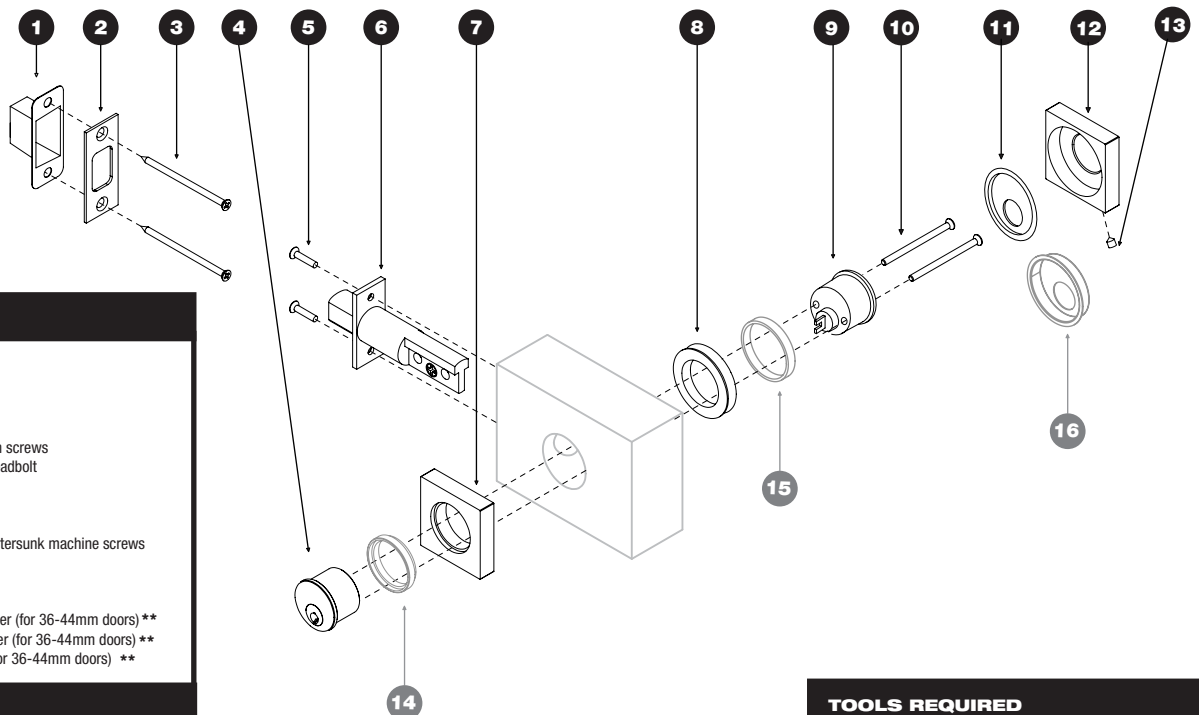
Claims

Any shortage or damage claims must be made within 7 days of the date of receipt of goods.

Product Design

In the interest of constantly improving products, we reserve the right to alter dimensions, materials and designs at any time.

EXPLODED VIEW



PARTS ENCLOSED

x1	1. Dust box
x1	2. Strike plate
x2	3. #10 x 3" wood screw
x1	4. External cylinder
x4	5. #8 x 3/4" combination screws
x1	6. Adjustable backset deadbolt
x1	7. External escutcheon
x1	8. Mount ring
x1	9. Internal cylinder
x2	10. #10-32 x 2-3/8" countersunk machine screws
x1	11. Cylinder cap
x1	12. Internal escutcheon
x1	13. Set screw
x1	14. External cylinder spacer (for 36-44mm doors)**
x1	15. Internal cylinder spacer (for 36-44mm doors)**
x1	16. Larger cylinder cap (for 36-44mm doors) **

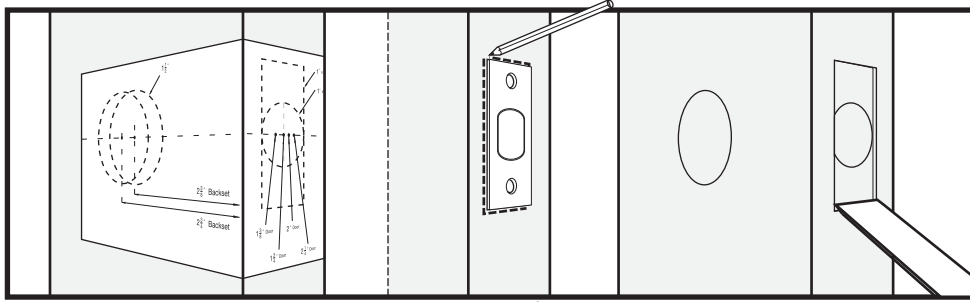
OPTIONAL PARTS

17. E120	These optional parts allow the deadbolt assembly to work with 54mm facebores. They are mounted behind the external escutcheon, and the internal mount ring.
18. E170	

**** NOTE:** Items 14-16 are not needed if you are using 17-18 for 36-44mm door thicknesses

TOOLS REQUIRED

1. Pencil
2. 1-1/2" hole saw (for doors without cutouts)
3. 1/2" or 3/4" wood chisel
4. Power drill and assorted bits (Ph. 2 drive, 1" & 1/8")
5. No. 2 phillips screwdriver
6. Allen key (provided)



MARK & DRILL

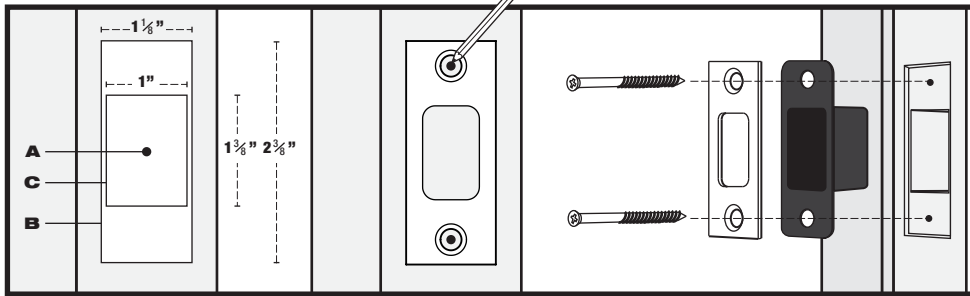
OUTLINE

MORTISE

DOOR PREPARATION

If your door is pre-bored please proceed to step 2.

- Fold and place the template at desired height, on the high side of the door bevel.
- Center punch the edge and face bores based on door thickness and backset.
- Drill the 2-1/2" diameter face bore. Drill from both sides to prevent splintering.
- Drill a 1" diameter edge bore, 3-1/2" deep from the edge of the door.
- Place tubular deadbolt into edge bore and mark outline.
- Mortise door edge to a depth of 4mm.



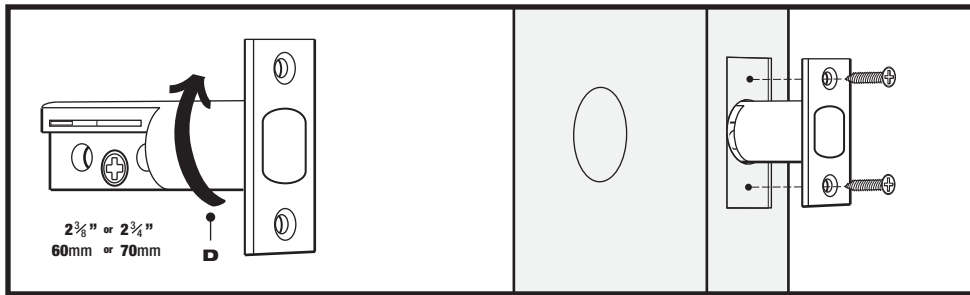
MARK & MORTISE

MARK & DRILL

ASSEMBLE

DOOR JAMB PREPARATION & STRIKE ASSEMBLY

- Center punch the jamb (A), directly opposite the tubular deadbolt.
- Using the preferred method make a 1-1/8" wide * 2-3/8" tall * 3mm deep cutout (B).
- Using the preferred method make a 1" wide * 1-3/8" tall * 1-1/8" deep cutout (C).
- Place the striker into cutout B and mark the two screw center points.
- Drill two pilot holes for the 3" wood screws or combination screws.
- Assemble all parts as shown.
- Lubricant is recommended when installing the 3" wood screws.



SET BACKSET

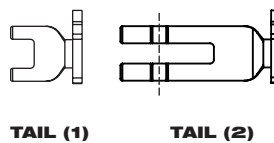
MOUNT DEADBOLT

BACKSET ADJUSTMENT & DEADBOLT MOUNTING

- Rotating the tubular deadbolt (D) allows you to adjust between backsets.
- Set the backset to the required length.
- Place the deadbolt into the edge bore. Ensure the + shaped hub is at the bottom.
- Using the two short combination screws, fasten the deadbolt to the door.

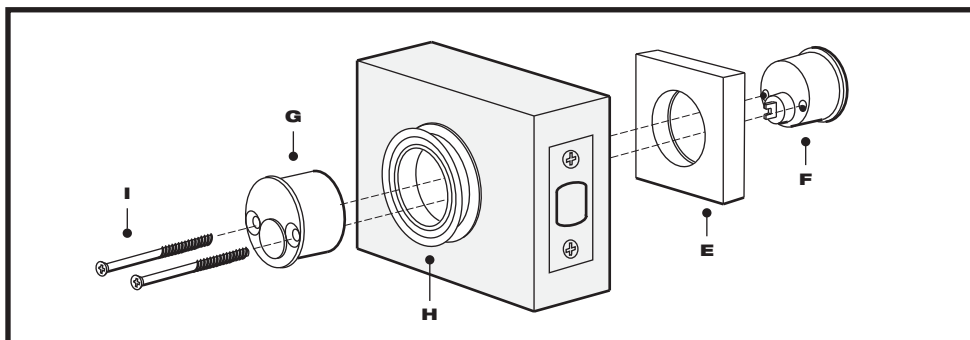
FACE BORE	DOOR THICKNESS				
	36mm	1 3/16" / 40mm	1 3/4" / 45mm	2" / 50mm	2 1/4" / 57mm
1 1/2" / 38mm	TAIL 1	TAIL 1	TAIL 1	TAIL 2-CUT	TAIL 2
2 1/8" / 54mm	TAIL 1	TAIL 2	TAIL 2-CUT	TAIL 2	TAIL 2

NOTE: TAIL 2-CUT REQUIRES TAIL 2 TO BE CUT AT DOTTED LINE



SELECT CORRECT CYLINDER TAILPIECE

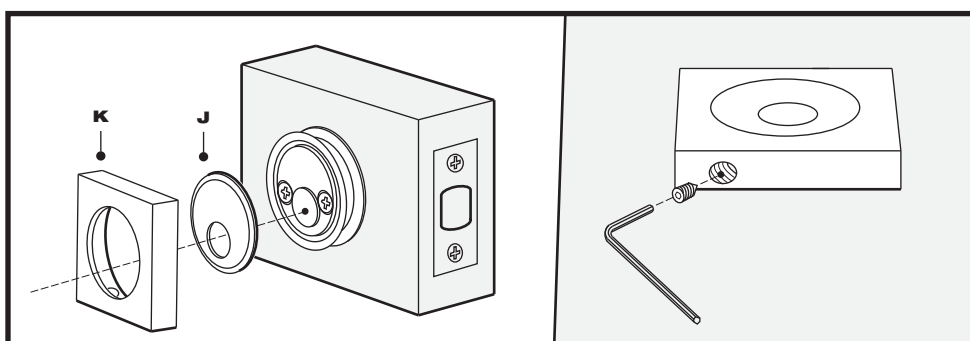
- Referring to the table on the left, select the appropriate tailpiece for your door.
- This will depend your door thickness and face bore diameter.
- If your door requires tailpiece (1) then your cylinders can be used straight out of the box - and don't require any alteration.
- If your door requires tailpiece (2-CUT) then you must cut tail (2) at the dotted line shown to the left prior to assembling it to the cylinders.
- If your door requires tailpiece (2) then you must assemble the tail to the cylinders however no cutting will be necessary.



ASSEMBLE TRIM

TRIM ASSEMBLY INSTRUCTIONS

- Place the escutcheon (E) over the face bore on the external side of the door.
- Place the external cylinder (F) over the escutcheon.
- Ensure that the tail has passed through the deadbolt.
- Place the mount ring (H) over the face bore on the internal side of the door.
- Place the internal cylinder (G) over the mount ring.
- Using a Ph. 2 screwdriver, place screws (I) into the internal cylinder and assemble.
- The screws will then clamp all the parts together.
- The escutcheon can be adjusted to be square by slightly loosening the screws.
- Once the escutcheon is adjusted to your liking, tighten the screws.
- **NOTE:** For 36-44mm door thicknesses place external spacer behind cylinder (F). This is not required if you are using an E120 or E170 for this door thickness.
- **NOTE:** For 36-44mm door thicknesses place internal spacer behind cylinder (G). This is not required if you are using an E120 or E170 for this door thickness.



MOUNT FINAL TRIM PIECES

TRIM ASSEMBLY - FINAL TOUCHES

- Place the cylinder cover (J) over the mount ring and internal cylinder.
- **NOTE:** For 36-44mm door thicknesses use the larger cylinder cap instead. This is not required if you are using an E120 or E170 for this door thickness.
- Place the internal escutcheon (K) over the mount ring and internal cylinder.
- **NOTE:** For the round key-key deadbolt the internal escutcheon will screw on.
- On the underside of the internal escutcheon you will see a threaded hole.
- Using the allen key and set screw provided, insert and tighten the grub screw.
- Ensure the assembly is square before completely tightening.

Deadbolt Installation Template

**PRINT AT 100% SCALE
DO NOT FIT TO PAGE**

