

Australian Head Office:
7 Kimpton Way, Altona, 3018 VIC

Melbourne Showroom:
431 Church St, Richmond, 3121 VIC

Sydney Studio Showroom:
Studio 5, Level 5, 35 Buckingham St, Surrey Hills, 2010 NSW

Beverly Hills Office & Showroom:
285 South Robertson Blvd, Beverly Hills California, 90211 USA

TURN & CYLINDER DEADBOLT INSTALLATION INSTRUCTIONS

t + 61 3 9300 8888
e sales@designerdoorware.com.au
w www.designerdoorware.com.au

Care and Maintenance Guide

Guarantee

Brass Based Products

Maintenance

Finishes on all products are produced to the highest quality standards to ensure they remain in perfect order year after year. However some finishes can deteriorate if they are exposed to corrosive vapors, coastal air, salt spray or humidity. Soft finishes, which include polished brass, polished chrome and satin chrome, are susceptible to discolouration if they come into contact with air, moisture, or paint, particularly in exterior locations and wet areas. To help slow deterioration, it is suggested to regularly wipe these finishes with a soft non-abrasive cloth and occasionally polish with a furniture wax.

Living Finishes

SBU, PBU, ABM, ABD, FBM, FBD, ORB, WBL, WBM

Designer Doorware's living finishes are fabricated and coloured by hand; variations in size, shape, and colour are a natural result of this process. Tooling marks and surface scratches are part of the character of the finished pieces. Most products are sealed with wax, which over time is not impervious to moisture and corrosion or wear and tear. The standard wax coating allows the finish to age naturally and develop its own character and morph into the environment wearing off where it is used most exposing the natural material underneath, this will patina with time and become a living finish. Due to the artisan, hand-made nature of these finishes, every product is unique. While we aim for consistency, there will always be a degree of variance with living finishes. Do not use methylated spirits on any products with a living finish, as it may strip away any aesthetic or protective coating.

Plated, PVD & PCC Finishes

SC, PC, SN, PN, SBC, BC, VGM, PCC, BKA, VBK

Do not use harsh solvents, abrasives cleaners or scourers on any Designer Doorware products as this may affect the thickness of protective coatings such as plating and powder-coating. Also note that powder-coated finishes may chip with rough handling, and therefore caution should be taken during maintenance and use.

Product Guarantee

Designer Doorware Pty Ltd guarantees their products against defects in workmanship and materials. If the product is found to be defective, Designer Doorware will repair or supply the same or an equivalent product free of charge in accordance with the terms and conditions of the country of sale. Brass and all plated finishes are classified as soft finishes; as deterioration is possible under some climatic conditions, these are excluded for this guarantee. Any modifications to a product as supplied, or repairs are excluded from this guarantee.

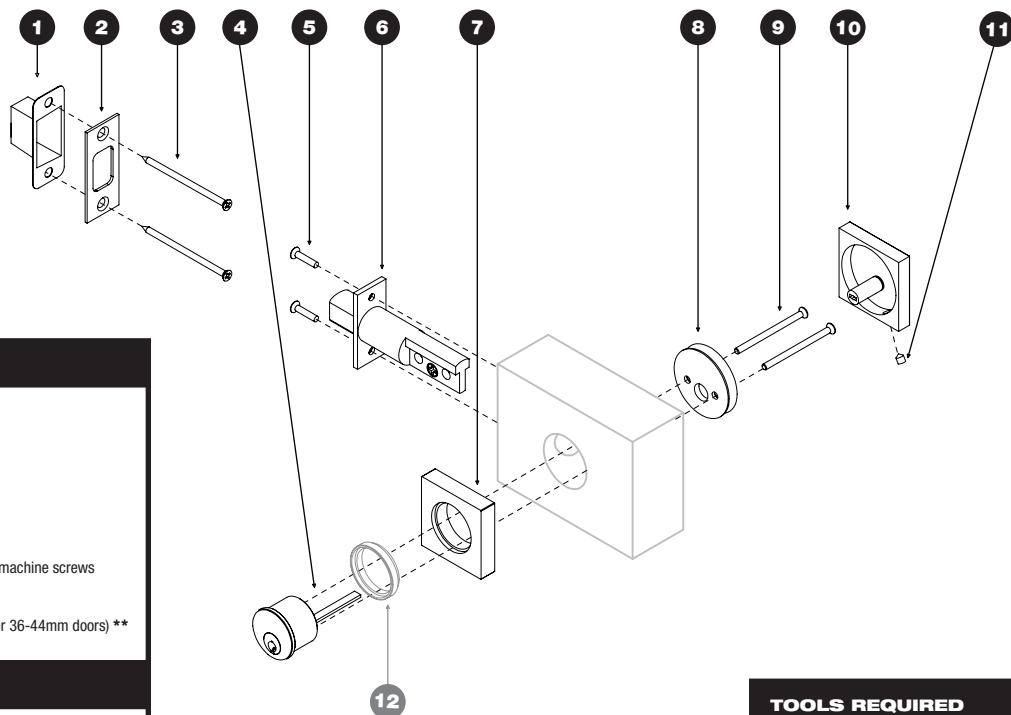
Claims

Any shortage or damage claims must be made within 7 days of the date of receipt of goods.

Product Design

In the interest of constantly improving products, we reserve the right to alter dimensions, materials and designs at any time.

EXPLODED VIEW



PARTS ENCLOSED

x1	1. Dust box
x1	2. Strike plate
x2	3. #10 x 3" wood screw
x1	4. External cylinder
x4	5. #8 x 3/4" combination screws
x1	6. Adjustable backset deadbolt
x1	7. External escutcheon
x1	8. Mount ring
x2	9. #10-32 x 2-1/16" countersunk machine screws
x1	10. Snib trim
x1	11. Set screw
x1	12. External cylinder spacer (only for 36-44mm doors) **

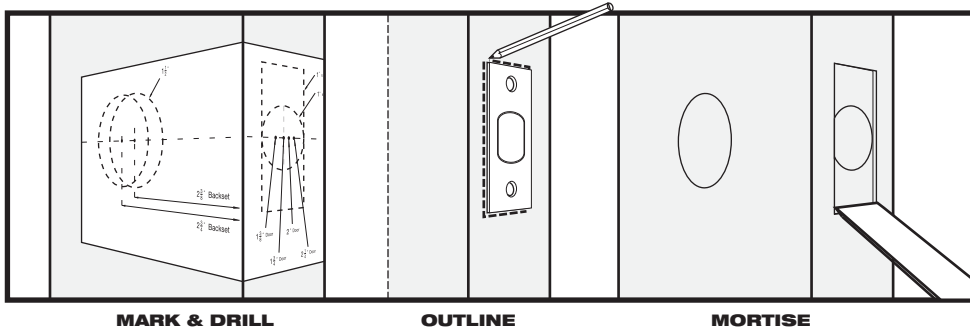
OPTIONAL PARTS

13. E120	These optional parts allow the deadbolt assembly to work with 54mm facebores. They are mounted behind the external escutcheon, and the internal mount ring.
14. E170	

****NOTE:** Items 12 are not needed if you are using 13-14 for 36-44mm door thicknesses

TOOLS REQUIRED

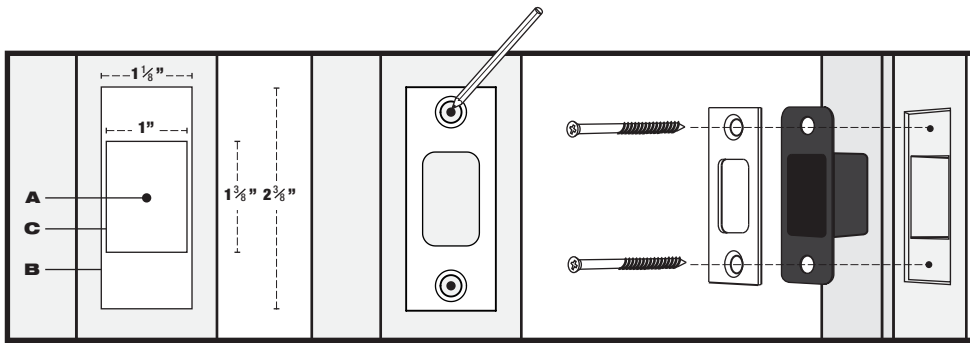
1. Pencil
2. 1-1/2" hole saw (for doors without cutouts)
3. 1/2" or 3/4" wood chisel
4. Power drill and assorted bits (Ph. 2 drive, 1" & 1/8")
5. No. 2 phillips screwdriver
6. Allen key (provided)



DOOR PREPARATION

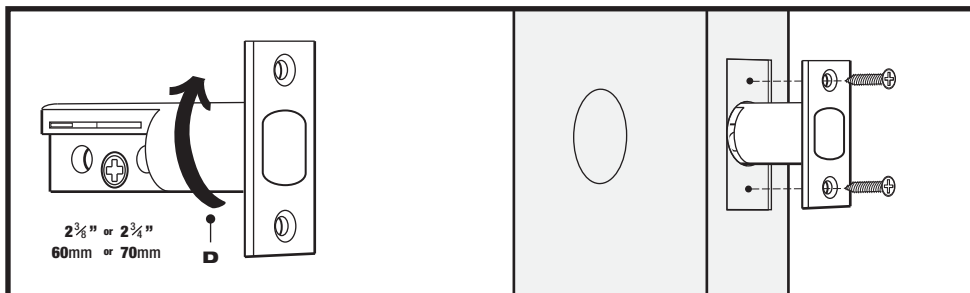
If your door is pre-bored please proceed to step 2.

- Fold and place the template at desired height, on the high side of the door bevel.
- Center punch the edge and face bores based on door thickness and backset.
- Drill the 2 1/2" diameter face bore. Drill from both sides to prevent splintering.
- Drill a 1" diameter edge bore, 3 1/2" deep from the edge of the door.
- Place tubular deadbolt into edge bore and mark outline.
- Mortise door edge to a depth of 4mm.



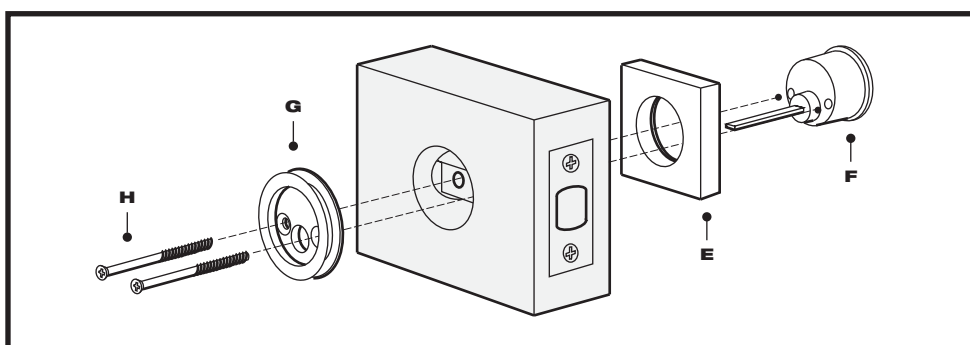
DOOR JAMB PREPARATION & STRIKE ASSEMBLY

- Center punch the jamb (A), directly opposite the tubular deadbolt.
- Using the preferred method make a 1 1/8" wide * 2 3/8" tall * 3mm deep cutout (B).
- Using the preferred method make a 1" wide * 1 3/8" tall * 1 1/8" deep cutout (C).
- Place the striker into cutout B and mark the two screw center points.
- Drill two pilot holes for the 3" wood screws or combination screws.
- Assemble all parts as shown.
- Lubricant is recommended when installing the 3" wood screws.



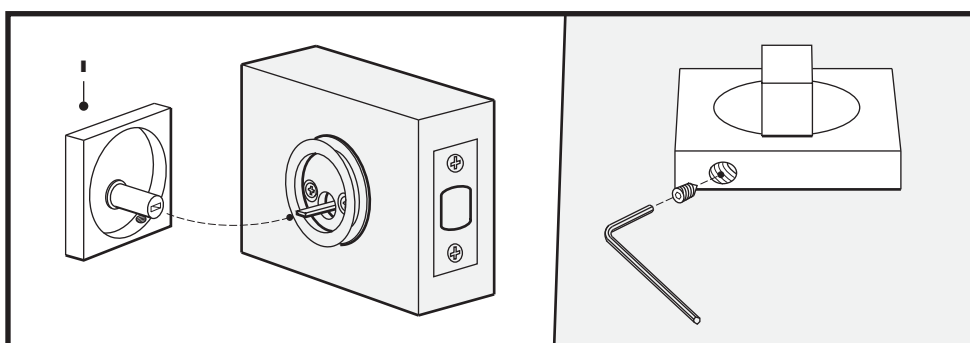
BACKSET ADJUSTMENT & DEADBOLT MOUNTING

- Rotating the tubular deadbolt (D) allows you to adjust between backsets.
- Set the backset to the required length.
- Place the deadbolt into the edge bore. Ensure the + shaped hub is at the bottom.
- Using the two short combination screws, fasten the deadbolt to the door.



TRIM ASSEMBLY INSTRUCTIONS

- Place the escutcheon (E) over the face bore on the external side of the door.
- Place the cylinder (F) over the escutcheon with the tail horizontal.
- Ensure that the tail has passed through the deadbolt horizontally.
- Place the mount ring (G) over the face bore on the internal side of the door.
- Using a Ph. 2 screwdriver, place screws (H) into the mount ring and assemble.
- The screws will then clamp all the parts together.
- The escutcheon can be adjusted to be square by slightly loosening the screws.
- Once the escutcheon is adjusted to your liking, tighten the screws.
- **NOTE:** For 36-44mm door thicknesses place cylinder spacer behind cylinder (F). This is not required if you are using an E120 or E170 for this door thickness.



TRIM ASSEMBLY - FINAL TOUCHES

- Place the snib trim (I) over the mount ring and cylinder tail.
- On the underside of the snib assembly you will see a threaded hole.
- Using the allen key and set screw provided, insert and tighten the grub screw.
- Ensure the snib assembly is square before completely tightening.

MOUNT FINAL TRIM PIECE

Deadbolt Installation Template

**PRINT AT 100% SCALE
DO NOT FIT TO PAGE**

